



# FRYER DEEP FAT

SINGLE PAN - 5Lt - ELECTRIC



## FRYER DEEP FAT

*"Anvil's deep fat fryers are designed to create a delicious variety of crisp fried food with minimum fuss. Delight your customers with french fries, chicken, fish, seafood, etc."*

### APPLICATION

- IDEAL FOR USE IN RESTAURANTS, TAKE AWAYS, CANTEENS, ETC.

### CONSTRUCTION

- HINGED ELEMENT BOX WITH 2 STAGE LOCKING MECHANISM
- FITS IN TIGHT COUNTER SPACE
- PILOT LIGHT INDICATES WHEN ELEMENTS ARE ENERGISED
- LIFT-OUT, ONE-PIECE STAINLESS STEEL TANK WITH CARRYING HANDLES FOR EASE OF CLEANING

### HEATING

- VARIABLE HEAT CONTROL FROM 60°C - 200°C
- REACHES FRYING TEMPERATURES FAST
- RECOVERS TO OPERATING TEMPERATURE QUICKLY BETWEEN LOADS

### ACCESSORIES

- NIGHT COVERS
- TIN-PLATED MILD STEEL WIRE BASKET

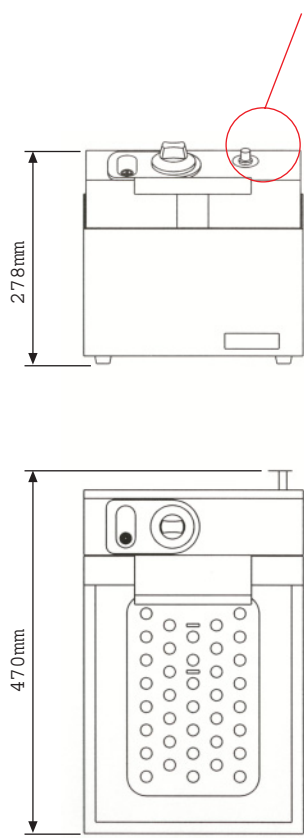
### SAFETY FEATURES

- AUTOMATIC CUT-OUT AT 209°C TO PREVENT OIL FIRE
- MICRO SWITCH DISCONNECTS POWER WHEN ELEMENT BOX IS REMOVED

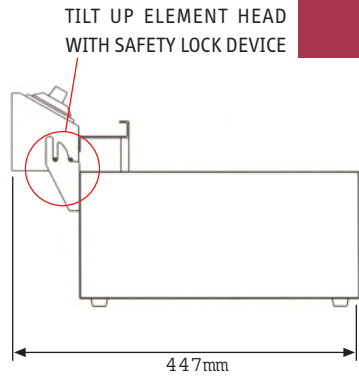
Anvil reserves the right, without notice, to make changes and revisions to product specifications, materials and design, which in our opinion, will provide better performance, durability and efficiency.



ALL ANVIL EQUIPMENT COMES WITH A ONE YEAR WARRANTY ON COMPONENTS AND DEFECTIVE WORKMANSHIP



RESET BUTTON FOR SAFETY CUT OUT  
IF FRYING COMPOUND OVERHEATS



TILT UP ELEMENT HEAD  
WITH SAFETY LOCK DEVICE

**F R Y E R**  
**D E E P F A T**

MODELS:  
FFA2001  
FFA3001  
FFA0001

NOTE:  
When viewing the appliance from the front in its usual operating position, the width (W) of the product is the total distance from left to right ; the depth (D) of the product is the total distance from front to back ; the height (H) is the total distance from the bottom of the product to the top

DESCRIPTION	FRYER SINGLE	FRYER SINGLE	FRYER SINGLE (NON CE)	ACCESSORIES
MODELS	FFA2001	FFA3001	FFA0001	
VOL. OF OIL (l)	5	5	5	FFB2250 FRYER BASKET FULL SIZE 210 x 460 x 270
VOL. OF OIL (lbs)	10	10	10	
± FRENCH FRIES (kg/hr)	15	15	15	
± FRENCH FRIES (lbs/hr)	33	33	33	
VOLTAGE 230V	2.5kW	3kW	2.5kW	XFFA0008 NIGHT LID 340 x 280 x 60
VOLTAGE 110V	1.8kW	N/A	1.8kW	
DIMENSIONS (mm) (W x D x H)	282 x 470 x 278	282 x 470 x 278	282 x 470 x 278	
BOX DIMNS (mm) (W x D x H)	320 x 510 x 370	320 x 510 x 370	320 x 510 x 370	
PACKED WEIGHT (kg)	7	7	7	
COMPLIES WITH SPEC	SABS IEC 60335	SABS IEC 60335	SABS IEC 60335	



Note: Output performance figures quoted are dependant on various factors.

Manufactured by:  
Scientific Engineering (Pty) Ltd  
South Africa  
Website: [www.anvilworld.com](http://www.anvilworld.com)



FFA\_ANVIL\_01